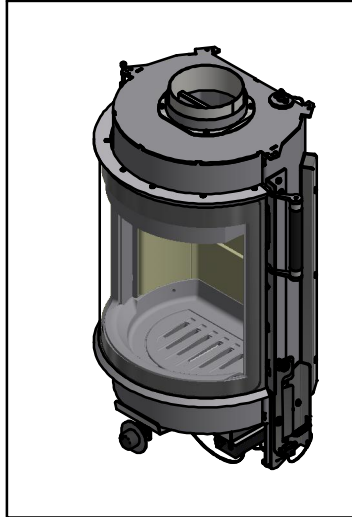


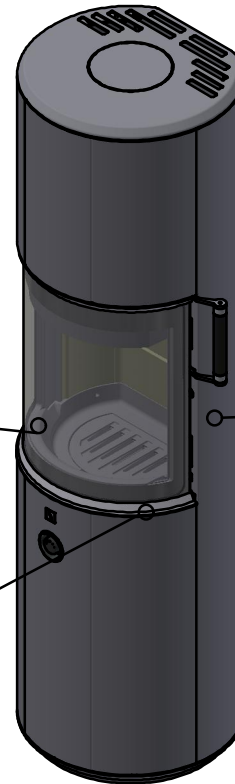
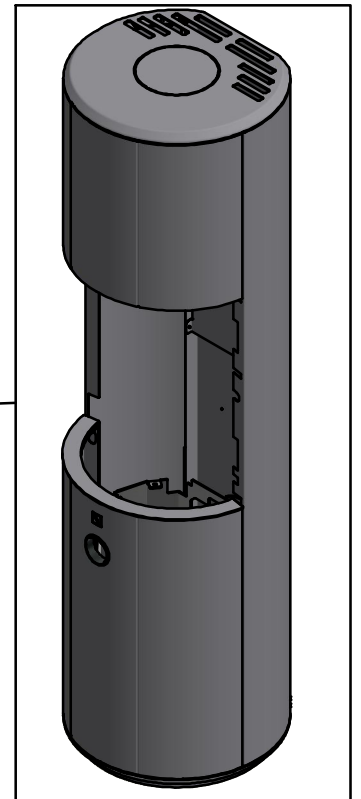
Korpus

Page: 3 - 5



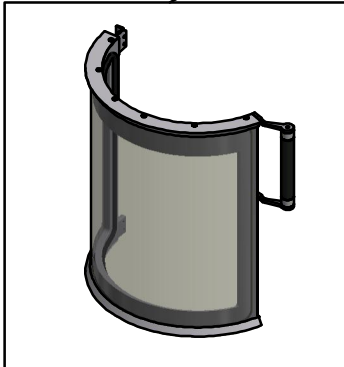
Mantle

Page: 7



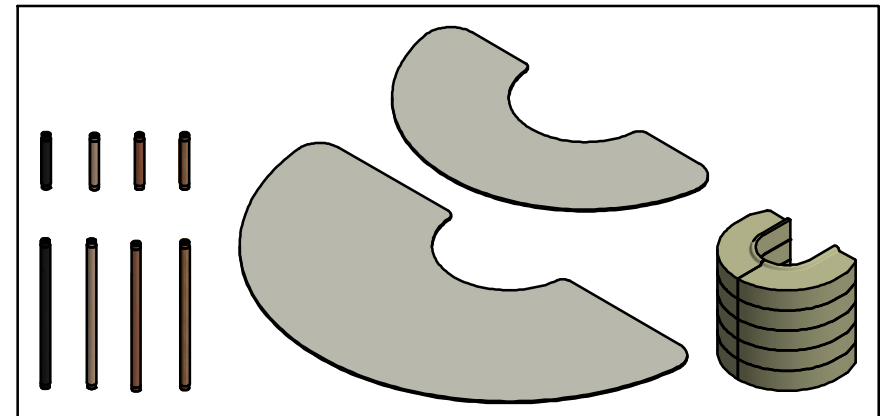
Door

Page: 6



Accessories

Page: 8



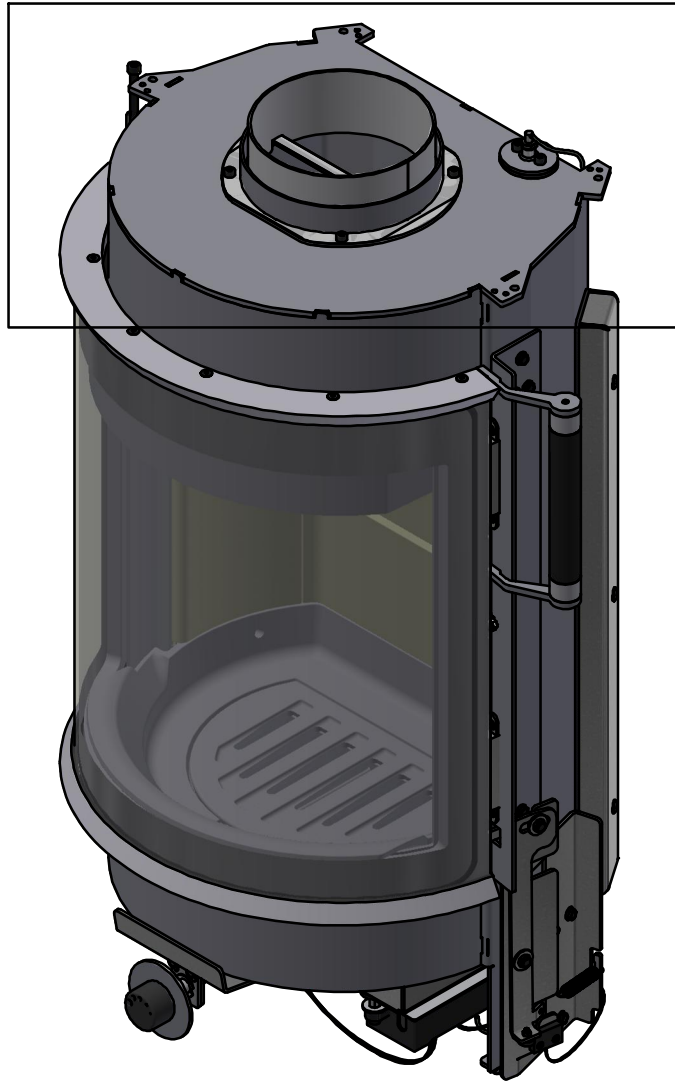
Date: 10-07-2023

Constructed /Changed by: SR

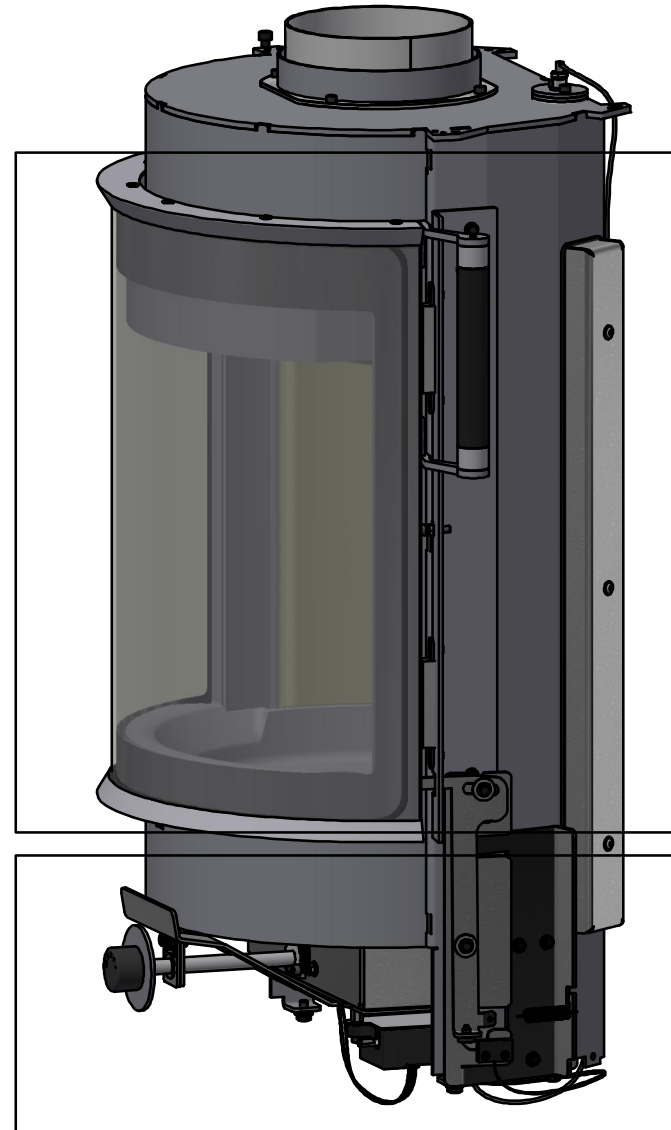
Drawing number: 90067103

SCAN A/S
DK-5492 Vissenbjerg©





Page 3



Page 4

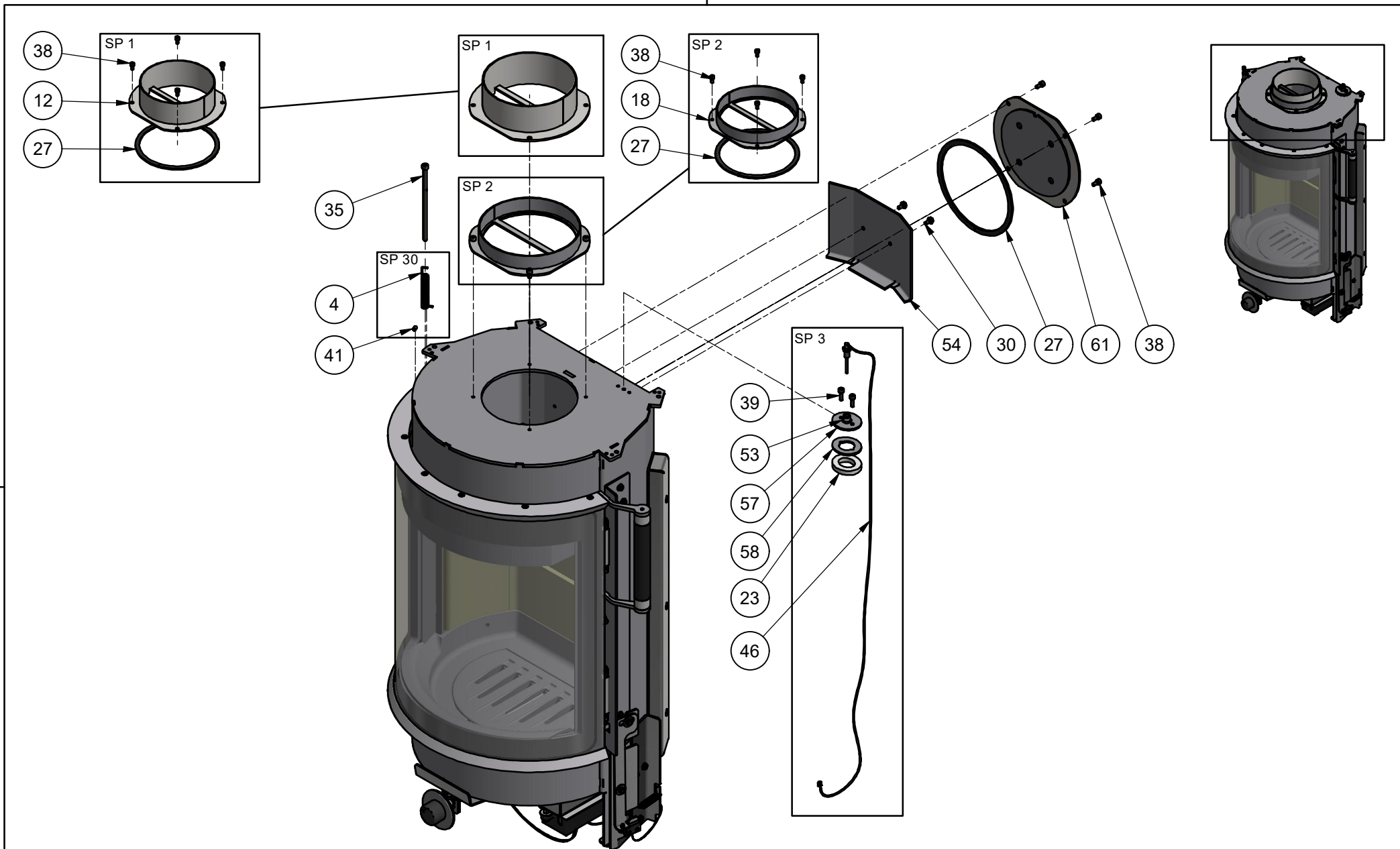
Page 5-6

Date: 10-07-2023	Constructed /Changed by: SR
Drawing number: 90067103	

SCAN A/S
DK-5492 Vissenbjerg©



Spare parts & Accessories: Scan 67 1600 mm

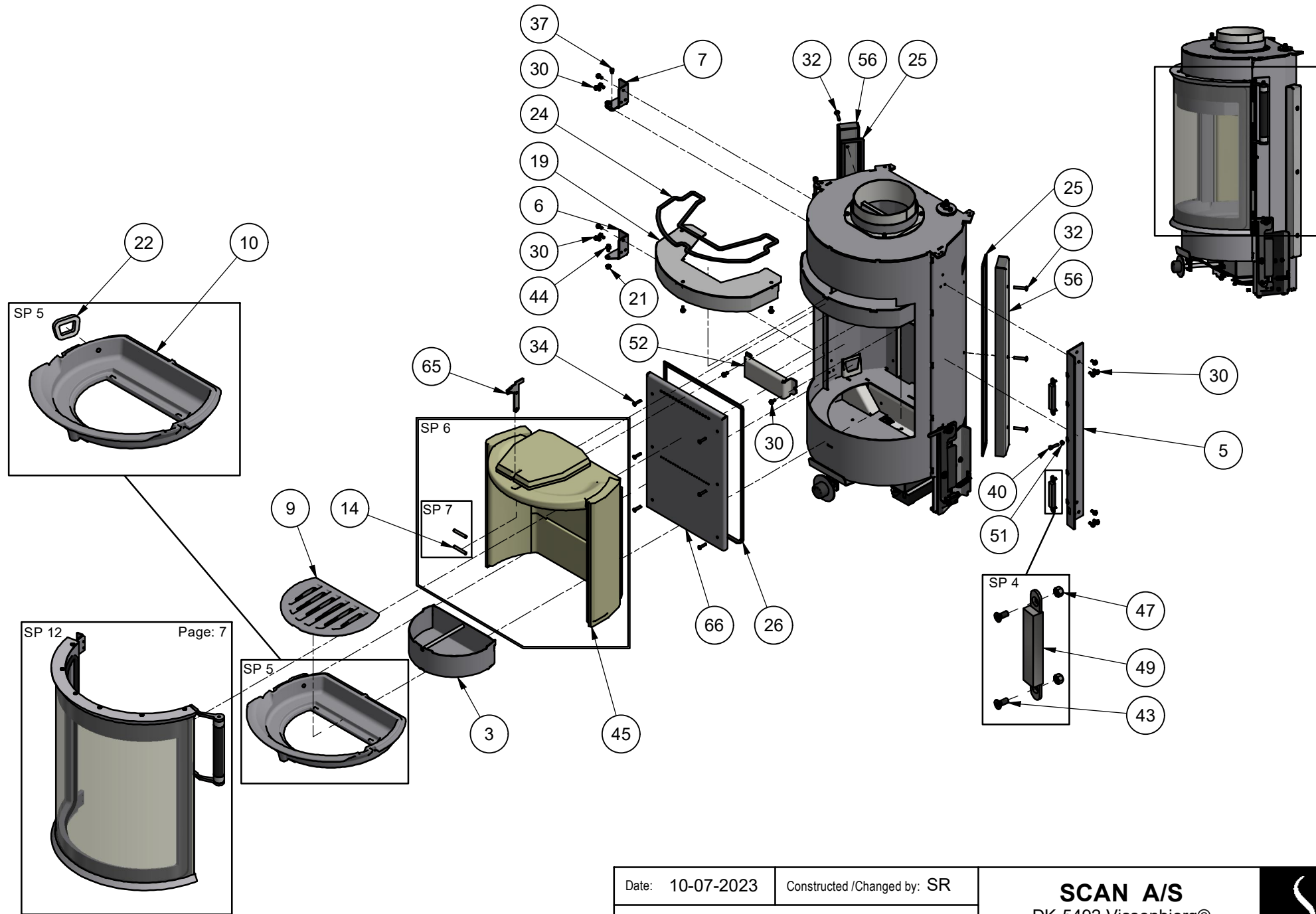


Date: 10-07-2023	Constructed /Changed by: SR
Drawing number: 90067103	

SCAN A/S
DK-5492 Vissenbjerg©



Spare parts & Accessories: Scan 67 1600 mm

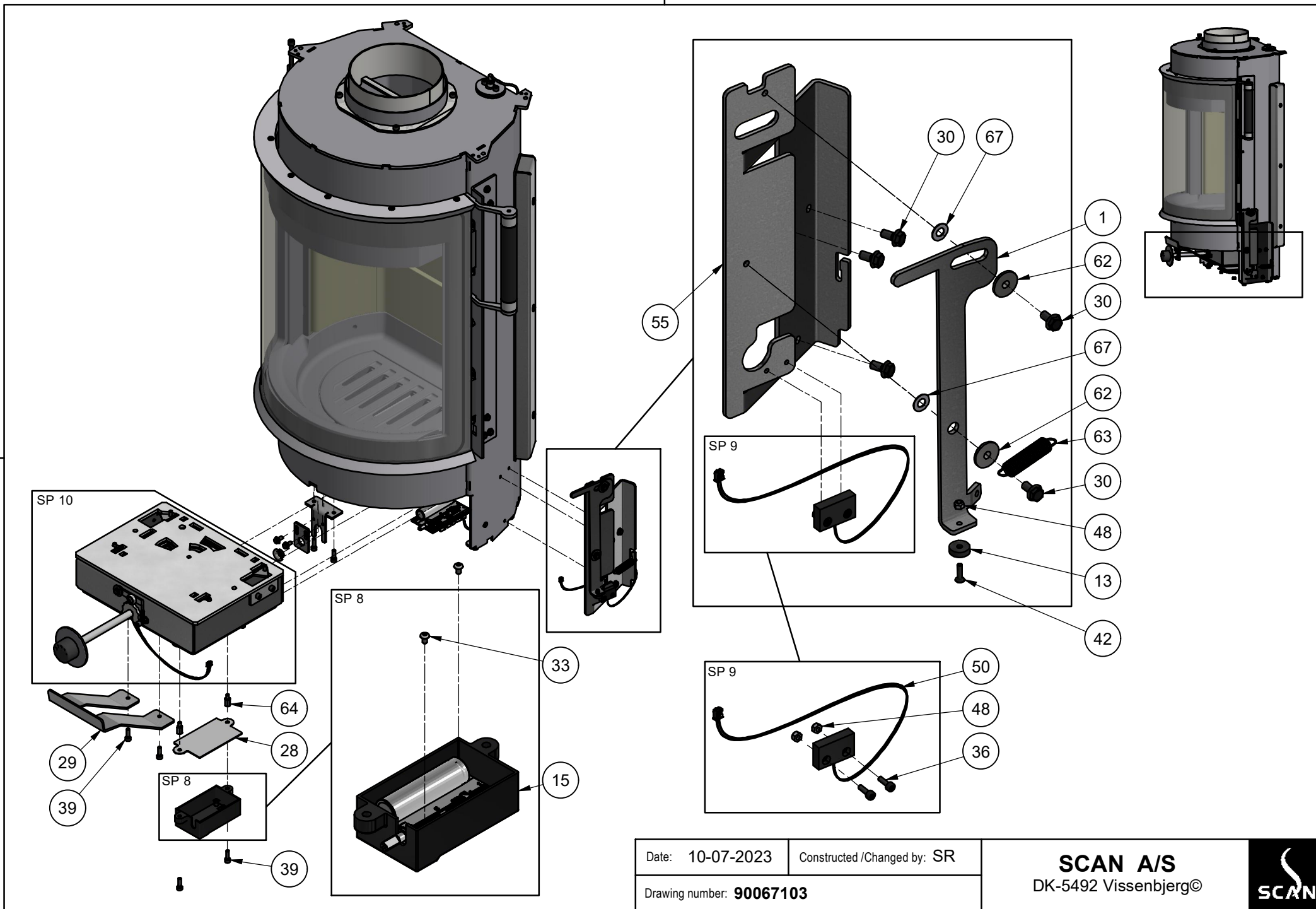


Date: 10-07-2023	Constructed /Changed by: SR
Drawing number: 90067103	

SCAN A/S
DK-5492 Vissenbjerg©



Spare parts & Accessories: Scan 67 1600 mm

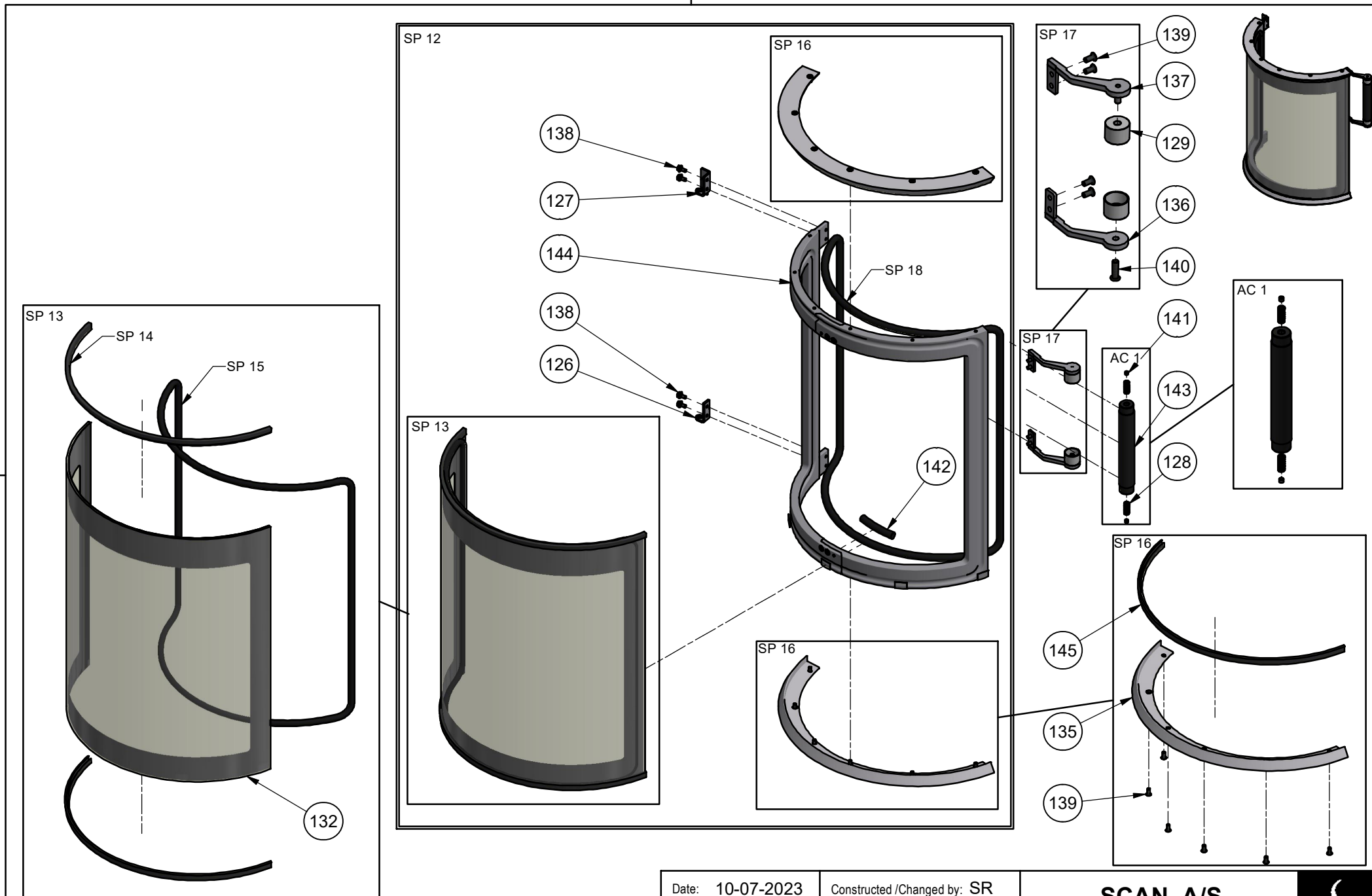


Date: 10-07-2023	Constructed /Changed by: SR
Drawing number: 90067103	

SCAN A/S
DK-5492 Vissenbjerg©



Spare parts & Accessories: Scan 67 1600 mm



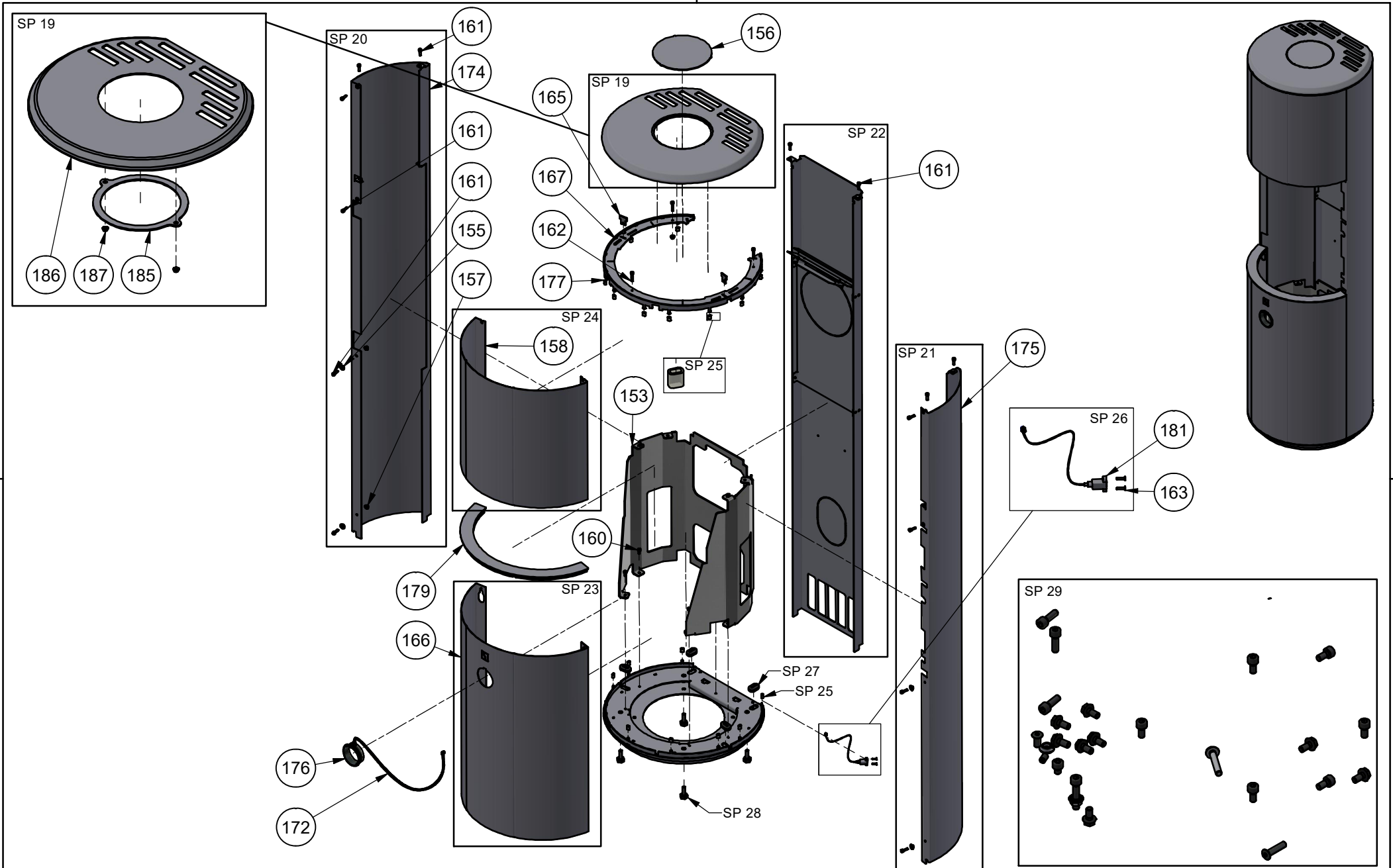
Date: 10-07-2023 Constructed /Changed by: SR

Drawing number: **90067103**

SCAN A/S
DK-5492 Vissenbjerg©



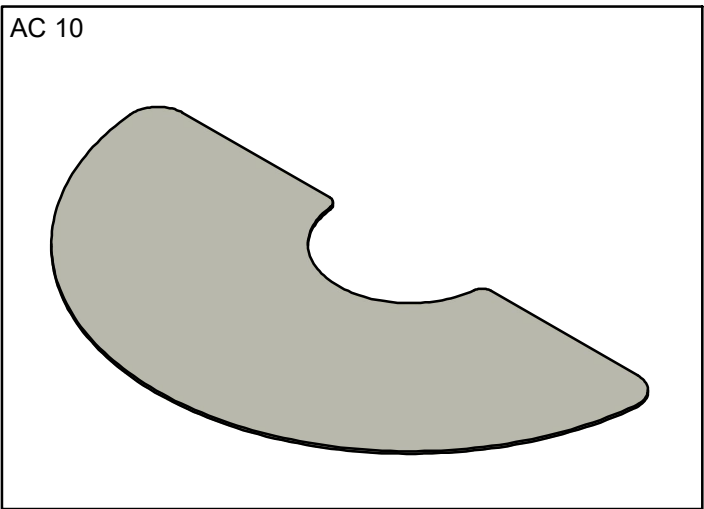
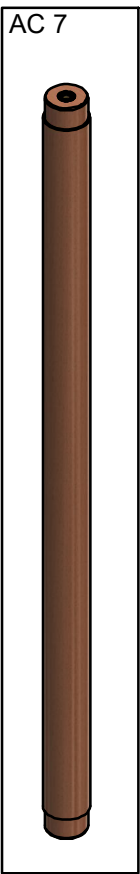
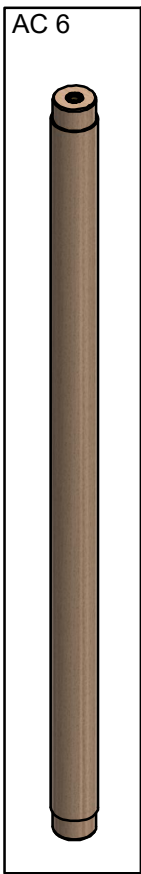
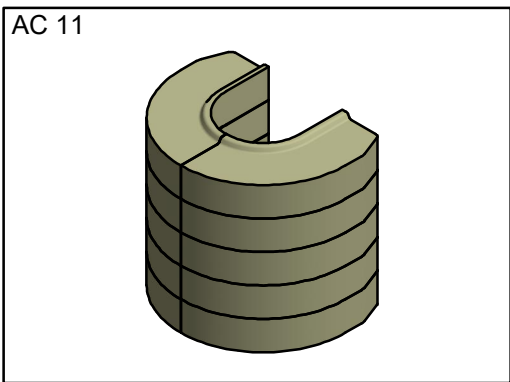
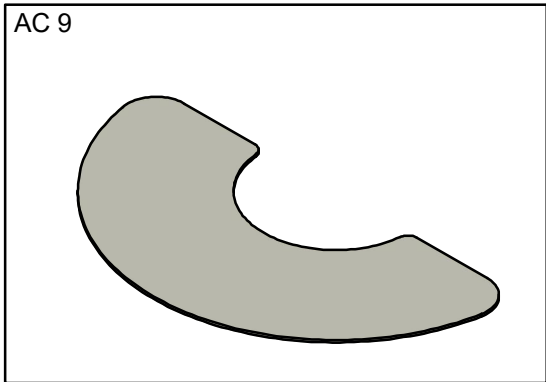
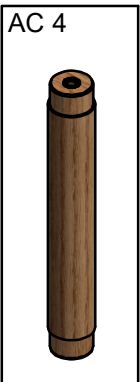
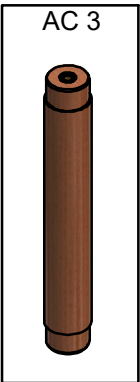
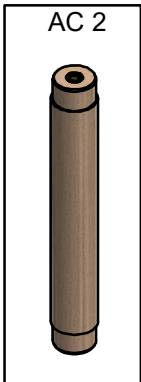
Spare parts & Accessories: Scan 67 1600 mm



Date: 10-07-2023	Constructed /Changed by: SR
Drawing number: 90067103	

SCAN A/S
DK-5492 Vissenbjerg©





Date: 10-07-2023	Constructed /Changed by: SR
Drawing number: 90067103	

SCAN A/S
DK-5492 Vissenbjerg©



Spare parts & Accessories: Scan 67 1600 mm

Korpus Scan 67

POS.	ART. NO.	SALES NO.	NAME	LEGTH	QTY.
1	12062676		Activator arm for sensor		1
2	51063046		Air box complete		1
3		51063043	Ashtray weldeld		1
4			Bauart 1 spring, left		1
5	12062667		Bracket for magnets		1
6	12062670		Bracket right down		1
7	12062746		Bracket top welded for door		1
8	10062658		Burnchamber		1
9		51063042	Cast iron grate		1
10	12062531		Cast iron machined		1
11		51063041	Complete door		1
12	10058250		Connecting piece		1
13		51063050	Door sensor magnet		1
14	10004957		Dowel pin ø6x40 RF A1/A2		2
15			ECC Box		1
150	10062917		ECC control board		1
17			ECC System		1
18	10058138		Exterior smoke outlet		1
19			Flameprotector		1
20	10062635		Flanged Bushing. EGF12070-E40-Y		1
21	10004953		Flangenut w. ripp M5		1
22	10048282		Gasket for cast iron		1
23		51046914	Gasket for cast iron buttom		1
24	10007913		Glass gasket with glue 8X3 mm Black	1 m.	1
25	10007913		Glass gasket with glue 8X3 mm Black	1,2 m.	2
26	10007913		Glass gasket with glue 8X3 mm Black	1,4 m.	1
27	10007913		Glass gasket with glue 8X3 mm Black	0,5 m.	2
28	12062887		Heat shield ecc		1
29	12062683		Heat shield for regulator		1
30	10004753		Hex head screw with flange, M5 x 10, black		26
31	10043855		Hex head screw with flange, M6 x 10		4
32	10004817		Hex socket button head w. flange, black 5 x 30		6
33	10004754		Hex socket button head, M3 x 6		2
34	10062534		Hex socket flat head, M5 x 20, black		6
35	10062725		Hex socket head cap, M6 x 140 without tread black		1
36	10062659		Hex socket head cap, M3 x 10		2
37	10004805		Hex socket head cap, M5 x 6		1

Date: 10-07-2023

Constructed /Changed by: SR

Drawing number: 90067103

SCAN A/S
DK-5492 Vissenbjerg©



Spare parts & Accessories: Scan 67 1600 mm

POS.	ART. NO.	SALES NO.	NAME	LEGTH	QTY.
38	10004816		Hex socket head cap, M5 x 10, black		8
39	10004838		Hex socket head cap, M5 x 16, black		8
40	10004815		Hex socket head cap, M5 x 20		1
41	10004826		Hex socket set screw M5x8		1
42	10062678		Hex sucket countersunk head screw, M3 x 12		1
43	10049998		Hex sucket countersunk head screw, M4x10		4
44	10043926		Hinge pin for door		1
45	10062176		Kit vermiculite		1
47	10048193		Lock nut M4		4
48	10062677		M3 lock nut		3
49	10062470		Magnet Sm2Co17		2
50	10062783		Magnetic reed sensor N/O		1
51	10004949		Nut M5		1
52	12062672		Partition for primary air		1
53	10045630		Popnut M8 (for sheet thickness 3,0 - 5,5 mm)		1
54	12062701		Protection behind in burnchamber		1
55	12062682		Reed bracket		1
56	12062675		Secondary air channel		2
57	12062668		Sensor plate		1
58	12062793		Sensor plate bottom		1
59	12063159		Shaft centering plate		1
60	12063141		Shaft holds front		1
61	10058088		Smoke Exit Flange		1
62	10004627		Spacer washer Ø8/18x3,3		2
63	10062466		Spring - 9784 ess 0,9 x 10 x 50		1
64	10050487		Stands-off M5*12		2
65	12062700		Support for baffleplate		1
66	12062669		Tertiary box		1
46		51063039	Thermocouple RDO-345/K		1
67	10048195		Washer 6 x 12 x 0,5		2

SP 1: Interior smoke outlet Ø150: 51037779

POS.	ART. NO.	SALES NO.	NAME	LEGTH	QTY.
12	10058250		Connecting piece		1
27	10007913		Glass gasket with glue 8X3 mm Black	0,5 m.	1
38	10004816		Hex socket head cap, M5 x 10, black		4

Date: 10-07-2023

Constructed /Changed by: SR

Drawing number: 90067103

SCAN A/S
DK-5492 Vissenbjerg©



Spare parts & Accessories: Scan 67 1600 mm

SP 2: Exterior smoke outlet Ø160: 51063036

POS.	ART. NO.	SALES NO.	NAME	LENGHT	QTY.
18	10058138		Exterior smoke outlet		1
27	10007913		Glass gasket with glue 8X3 mm Black	0,5 m.	1
38	10004816		Hex socket head cap, M5 x 10, black		4

SP 3: K-Type thermocouple: 51063039

POS.	ART. NO.	SALES NO.	NAME	LENGHT	QTY.
23		51046914	Gasket for cast iron bottom		1
39	10004838		Hex socket head cap, M5 x 16, black		2
46		51063039	Thermocouple RDO-345/K		1
53	10045630		Popnut M8 (for sheet thickness 3,0 - 5,5 mm)		1
57	12062668		Sensor plate		1
58	12062793		Sensor plate bottom		1

SP 4: Magnet Sm2Co17: 51063045

POS.	ART. NO.	SALES NO.	NAME	LENGHT	QTY.
43	10049998		Hex sucket countersunk head screw, M4x10		2
47	10048193		Lock nut M4		2
49	10062470		Magnet Sm2Co17		1

SP 5: Castiron bottom: 51063040

POS.	ART. NO.	SALES NO.	NAME	LENGHT	QTY.
10	12062531		Cast iron machined		1
22	10048282		Gasket for cast iron		1

SP 6: Kit vermiculite: 51063044

POS.	ART. NO.	SALES NO.	NAME	LENGHT	QTY.
14	10004957		Dowel pin ø6x40 RF A1/A2		2
45	10062176		Kit vermiculite		1

SP 7: Pins for baffleplates Ø6x40, 3 pcs.: 51062559

SP 8: Zensoric control board V1: 51063048

POS.	ART. NO.	SALES NO.	NAME	LENGHT	QTY.
15			ECC Box		1
33	10004754		Hex socket button head, M3 x 6		2
150	10062917		ECC control board		1

Date: 10-07-2023

Constructed /Changed by: SR

Drawing number: 90067103

SCAN A/S
DK-5492 Vissenbjerg©



Spare parts & Accessories: Scan 67 1600 mm

SP 9: Magnetic reed sensor: 51063049

POS.	ART. NO.	SALES NO.	NAME	LEGTH	QTY.
36	10062659		Hex socket head cap, M3 x 10		2
48	10062677		M3 lock nut		2
50	10062783		Magnetic reed sensor N/O		1

SP 10: Air box complete: 51063046

SP 11: Motor stepper: 51063051

SP 12: Door without handle: 51063041

POS.	ART. NO.	SALES NO.	NAME	LEGTH	QTY.
125	10063239		3M Double Coated Acrylic Tape 9088-200 12mm		5
126	12062656		Bracket down door		1
127	12062657		Bracket for door top		1
131	10004960		Flangebushing LEPCMF 06084 B		2
132	10064239		Frontglass		1
133	10048160		Gasket Textile glass, Ø11 black steel braid	1,9 m.	1
134	10049509		Glass cord black soft Ø10mm w.tape	2,0 m.	1
135	10062591		Glass list aluminum		2
138	10004753		Hex head screw with flange, M5 x 10, black		4
139	10049776		Hex socket flat head, M5 x 10, black		12
142	10038062		Muf fiberglass sleeve black, ø11x70mm	0,7 m.	1
144	12063131		Raw door		1
145	10062170		Silicone gasket for front glass	0,6 m.	2

Date: 10-07-2023 Constructed /Changed by: SR

Drawing number: 90067103

SCAN A/S
DK-5492 Vissenbjerg©



Spare parts & Accessories: Scan 67 1600 mm

SP 13: Door glass with gasket: 51063055

POS.	ART. NO.	SALES NO.	NAME	LEGTH	QTY.
132	10064239		Frontglass		1
134	10049509		Glass cord black soft Ø10mm w.tape	2,0 m.	1
145	10062170		Silicone gasket for front glass	0,6 m.	2

SP 14: Silicone gasket for front glass, 2 m.: 51063047

SP 15: Glass cord black soft Ø10mm w.tape, 2 m.: 51063058

SP 16: Glass list aluminium: 51063056

POS.	ART. NO.	SALES NO.	NAME	LEGTH	QTY.
135	10062591		Glass list aluminum		1
139	10049776		Hex socket flat head, M5 x 10, black		6
145	10062170		Silicone gasket for front glass	0,6 m.	1

SP 17: Bracket set for handle: 51063057

POS.	ART. NO.	SALES NO.	NAME	LEGTH	QTY.
129	10059752		Bush for handle		2
136	12062749		Handle bracket bottom welded		1
137	12062748		Handle bracket top welded		1
139	10049776		Hex socket flat head, M5 x 10, black		4
140	10062573		Hex socket flat head, M6 x 20, black		1

SP 18: Gasket Textile glass, Ø11 black steel braid, 3 m.: 51063586

POS.	ART. NO.	SALES NO.	NAME	LEGTH	QTY.
130	50027304		Ceramic glue tube 30 ml.		1
133	10048160		Gasket Textile glass, Ø11 black steel braid	1,9 m.	1
142	10038062		Muf fiberglass sleeve black, ø11x70mm	0,7 m.	1

Date: 10-07-2023 Constructed /Changed by: SR

Drawing number: 90067103

SCAN A/S
DK-5492 Vissenbjerg©



Spare parts & Accessories: Scan 67 1600 mm

Mantle assembly 1300:

POS.	ART. NO.	SALES NO.	NAME	LEGTH	QTY.
150	10045969		Adjustment screw 19x19 - M8 x 30		4
151	12062785		Approval label, Scan 67		1
152	12062648		Backplate freestanding 1600mm		1
153	12062693		Base for floor version 1600mm		1
154	12062744		Bottom welded		1
155	10060929		Bushing for front cover bottom		4
156		51063063	Cover for topplate BP		1
156		51063064	Cover for topplate GP		1
157	10004953		Flangenut w. ripp M5		7
158	12062644		Front mantle top 1600		1
159	12062631		Heat shield		1
160	10004816		Hex socket head cap, M5 x 10, black		5
161	10004838		Hex socket head cap, M5 x 16, black		14
162	10004804		Hex socket head cap, M5 x 25		3
163	10062678		Hex sucket countersunk head screw, M3 x 12		2
164	12062632		Inner heat shield		1
165	12062674		Lock for mantle part		2
166	12062645		Mantle bottom 1600mm		1
167	12062747		Mantle steer weldeld		1
168	10046280		Popnut M5x12,3		4
169	10045630		Popnut M8 (for sheet thickness 3,0 - 5,5 mm)		4
170	10007617		Poprivet M3,2 x 7,9		20
171	12062630		Rear heat shield		1
172		51063100	RGB LED diffused common anode		1
173	10045985		Rubber grommet Mold-0031		4
174	12062647		Side mantle, left 1600mm		1
175	12062646		Side mantle, right 1600mm		1
176		51063099	Silicone cover		1
177	12062226		Silicone tube Ø8/Ø4x11		19
178			Top Assembled		1
179		51063060	Top cover for base assembled BP		1
179		51063098	Top cover for base assembled GP		1
180	12062690		Upper centering bracket		1
181			USB-C panel mount		1

Date: 10-07-2023

Constructed /Changed by: SR

Drawing number: 90067103

SCAN A/S
DK-5492 Vissenbjerg©



Spare parts & Accessories: Scan 67 1600 mm

SP 19: Top plate: 51063059 Black Paint Top plate: 51063097 Gray Paint

POS.	ART. NO.	SALES NO.	NAME	LEGTH	QTY.
185	12062655		Base plate for top plate		1
186	12062795		Bolt welded top plate		1
187	10004953		Flangenut w. ripp M5		2

SP 20: Side mantle, left 1600 mm: 51063073 Black Paint Side mantle, left 1600 mm: 51063075 Gray Paint

POS.	ART. NO.	SALES NO.	NAME	LEGTH	QTY.
155	10060929		Bushing for front cover bottom		2
157	10004953		Flangenut w. ripp M5		2
161	10004838		Hex socket head cap, M5 x 16, black		7
168	10046280		Popnut M5x12,3		2
174	12062647		Side mantle, left 1600mm		1

SP 21: Side mantle, right 1600 mm: 51063074 Black Paint Side mantle, right 1600 mm: 51063076 Gray Paint

POS.	ART. NO.	SALES NO.	NAME	LEGTH	QTY.
155	10060929		Bushing for front cover bottom		2
157	10004953		Flangenut w. ripp M5		2
161	10004838		Hex socket head cap, M5 x 16, black		7
168	10046280		Popnut M5x12,3		2
175	12062646		Side mantle, right 1600mm		1

SP 22: Backplate complete 1600 mm: 51063093 Black Paint Backplate complete 1600 mm: 51063094 Gray Paint

POS.	ART. NO.	SALES NO.	NAME	LEGTH	QTY.
152	12062648		Backplate freeestanding 1600mm		1
159	12062631		Heat shield		1
161	10004838		Hex socket head cap, M5 x 16, black		2
164	12062632		Inner heat shield		1
170	10007617		Poprivet M3,2 x 7,9		12
171	12062630		Rear heat shield		1

SP 23: Front mantle bottom 1600 mm: 51063087 Black Paint Front mantle bottom 1600 mm: 51063088 Gray Paint

POS.	ART. NO.	SALES NO.	NAME	LEGTH	QTY.
166	12062645		Mantle bottom 1600mm		1
170	10007617		Poprivet M3,2 x 7,9		4

Date: 10-07-2023

Constructed /Changed by: SR

Drawing number: 90067103

SCAN A/S
DK-5492 Vissenbjerg©



Spare parts & Accessories: Scan 67 1600 mm

SP 24: Front mantle top 1600 mm: 51063081 Black Paint
Front mantle top 1600 mm: 51063082 Gray Paint

POS.	ART. NO.	SALES NO.	NAME	LEGTH	QTY.
158	12062644		Front mantle top 1600		1
170	10007617		Poprivet M3,2 x 7,9		4
180	12062690		Upper centering bracket		1

SP 25: Silicone tube Ø4/Ø8x11, 10 pcs: 12062225

SP 26: USB-C panel mounted: 51063101

POS.	ART. NO.	SALES NO.	NAME	LEGTH	QTY.
163	10062678		Hex sucket countersunk head screw, M3 x 12		2
180	10062780		USB-C panel mount		1

SP 27: Rubber grommet Mold-0031, 6 pcs.: 51063946

SP 28: Adjustment screw 19x19 - M8 x 30, 4 pcs.: 51046856

SP 29: Screw and bolts: 51063061

SP 30: Bauart 1- spring: 51054076

POS.	ART. NO.	SALES NO.	NAME	LEGTH	QTY.
4			Bauart 1 spring, left		1
41	10004826		Hex socket set screw M5x8		1

AC 1:	Wood handle, black oak	51062932
AC 2:	Wood handle, white oak	51062934
AC 3:	Wood handle, golden oak	51062938
AC 4:	Wood handle, mocca oak	51062936
AC 5:	Wood handle long, black oak	51062933
AC 6:	Wood handle long, white oak	51062935
AC 7:	Wood handle long, golden oak	51062939
AC 8:	Wood handle long, mocca oak	51062937
AC 9:	Small shaped floor plate, glass	50062595
AC 10:	Large shaped floor plate, glass	50062596
AC 11:	Heat accumulation stones	10062576

Date: 10-07-2023 Constructed /Changed by: SR

Drawing number: **90067103**

SCAN A/S
DK-5492 Vissenbjerg©

