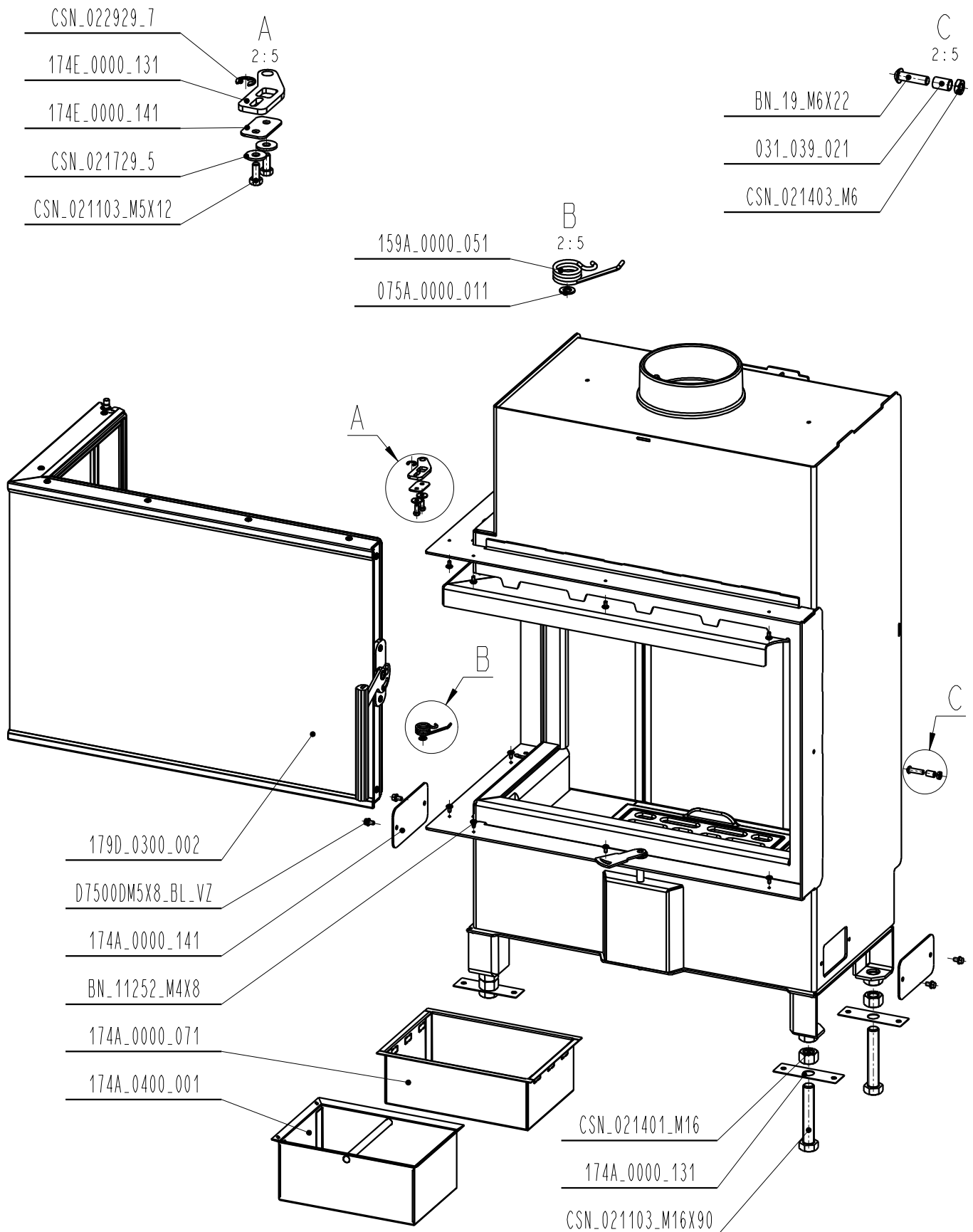
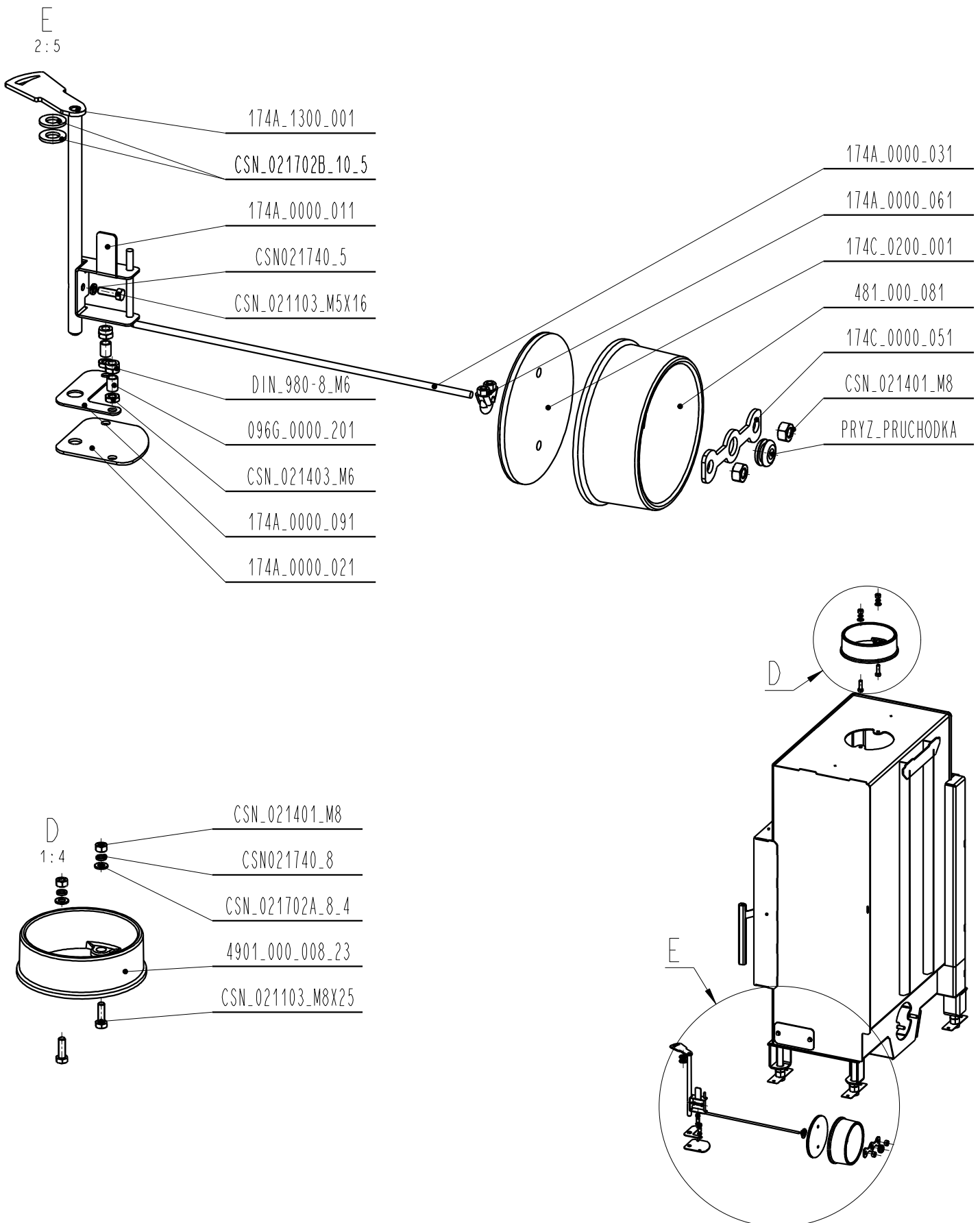
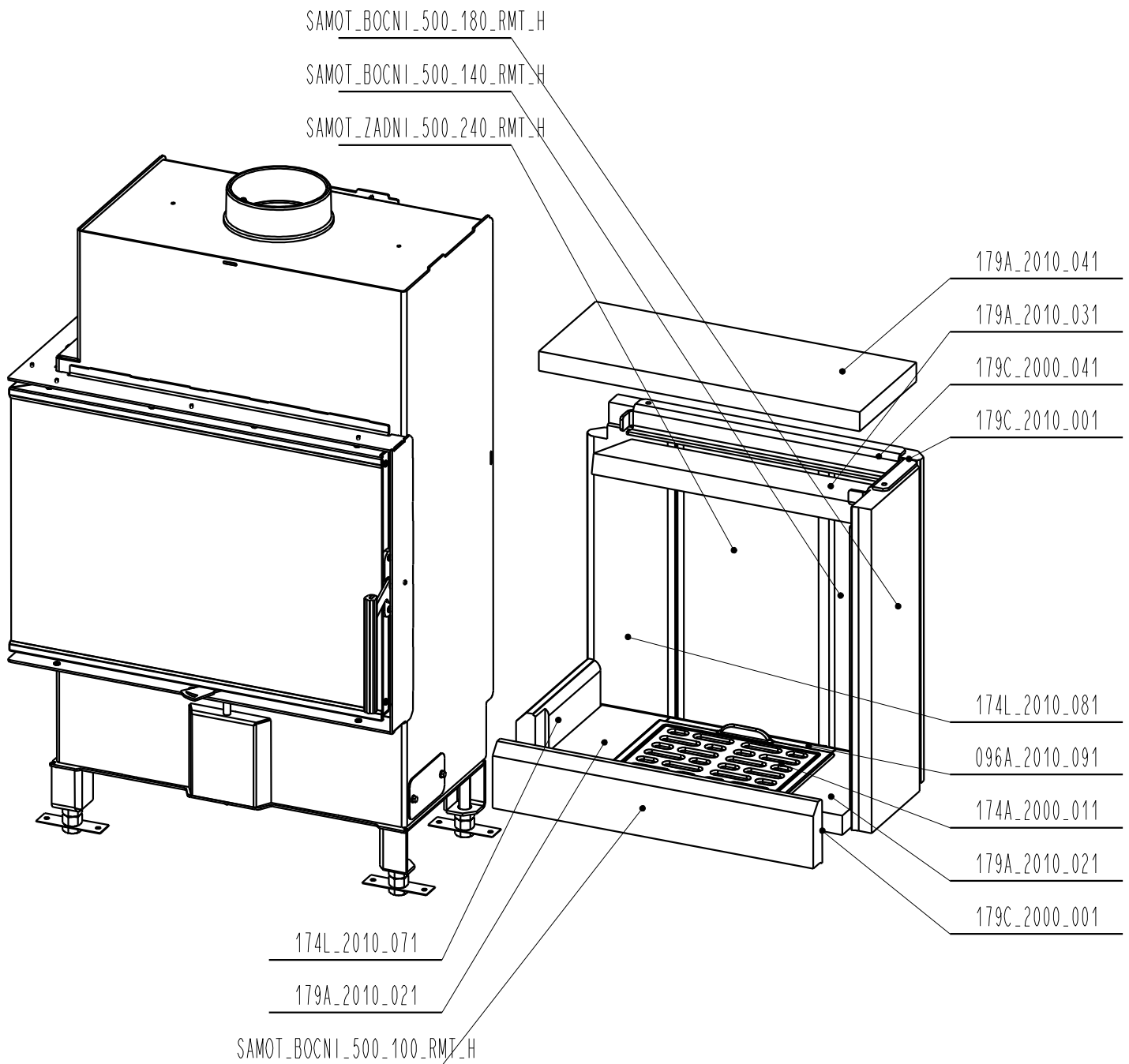
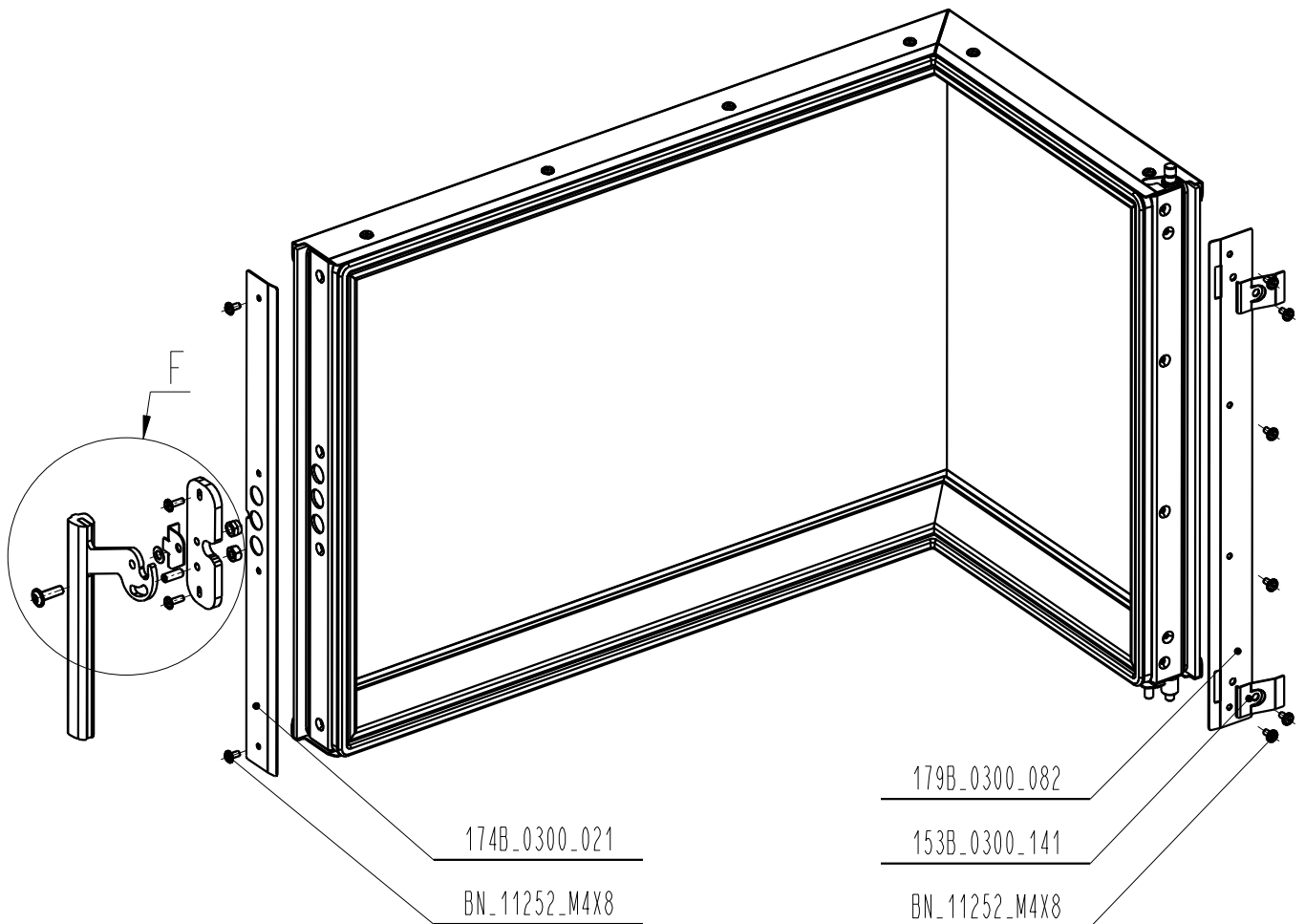
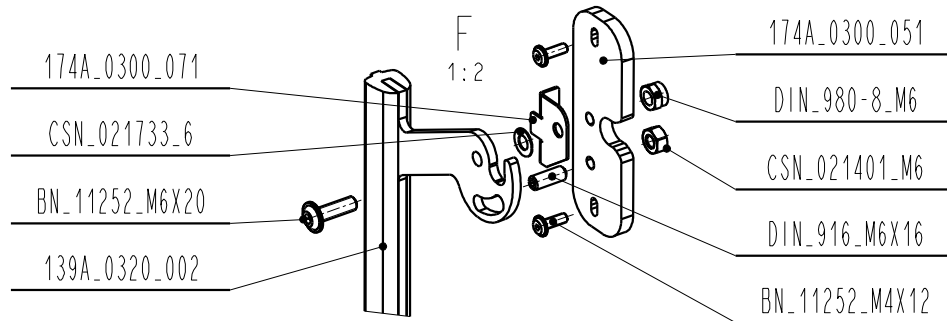


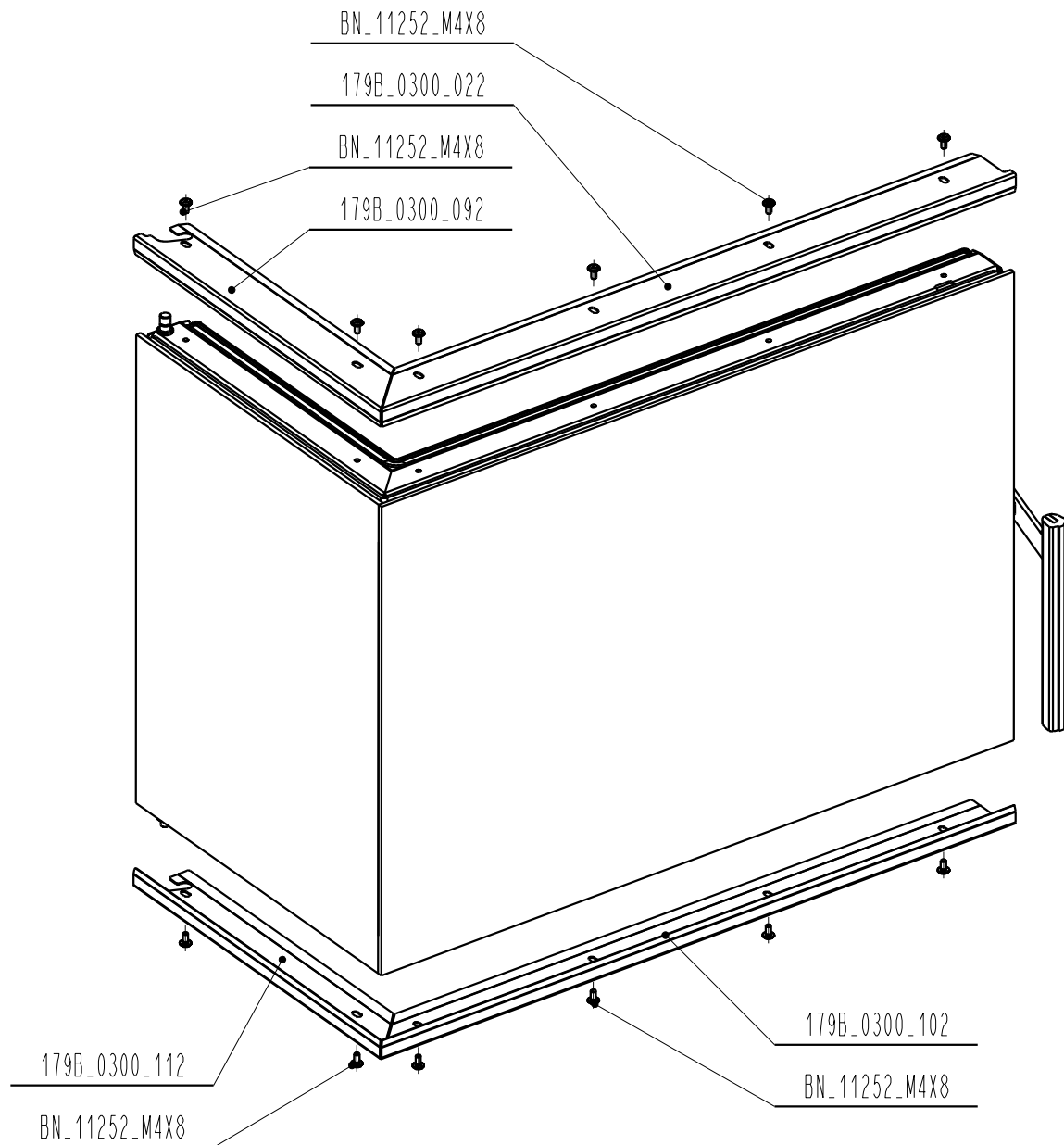
HL2SY 23











HL2SY 23

6 / 6

